

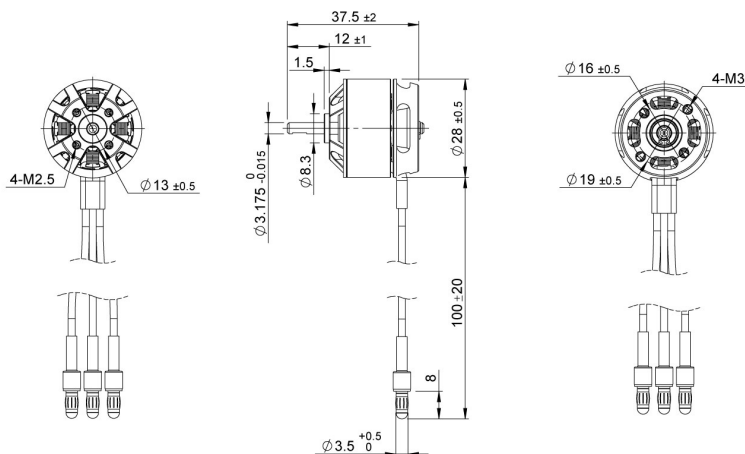


Tomcat P3702 Brushless Motor 2808 KV1250

Art.Nr.: BT-P-2808-KV1250

Ein zuverlässiger, leistungsstarker Motor in ausgesprochen präziser und hochwertiger Fertigung.

Type:	TC-P-2808-KV1250 (P3702)
KV(rpms per volt):	1250
No load current:	0.9 A @10V
Resistance:	0.164 ohms
Watts:	up to 130
Continuous Current:	10A
Max Burst Current:	12A,10seconds
Cells:	2-3S Li-Po
Recommended Props:	8x3.8 to 10x4.7
Slots,Poles:	12,14
Diameter:	28 mm
Diameter of Shaft:	3.175 mm
Weight:	50 g
Brushless ESC:	15A



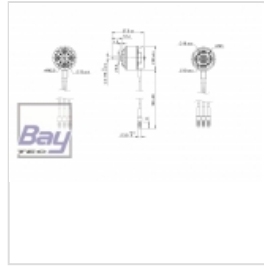
PREIS:

Unser bisheriger Preis ~~25,35 EUR~~

Jetzt nur 19,90 EUR

Sie sparen 21 % /5,45 EUR

inkl. 19 % MwSt. zzgl. **Versandkosten**



Motor Performance Test Data									
Run Time (min)	Current (A)	Voltage (V)	Power (W)	Efficiency (%)	Speed (RPM)	Thrust (g)	Climb Rate (m/s)	Altitude (m)	Notes
0	0	0	0	0	0	0	0	0	
1	0.1	1.2	0.12	10	1000	10	1.0	10	
2	0.2	2.4	0.48	20	2000	20	2.0	20	
3	0.3	3.6	1.08	30	3000	30	3.0	30	
4	0.4	4.8	1.92	40	4000	40	4.0	40	
5	0.5	6.0	3.00	50	5000	50	5.0	50	
6	0.6	7.2	4.32	60	6000	60	6.0	60	
7	0.7	8.4	5.88	70	7000	70	7.0	70	
8	0.8	9.6	7.68	80	8000	80	8.0	80	
9	0.9	10.8	9.72	90	9000	90	9.0	90	
10	1.0	12.0	12.00	100	10000	100	10.0	100	