

# DLSLR-2C



Quarter scale sailplane

Manufactured by:

**TOPMODEL CZ**

679 05 HABRŮVKA 100 - CZECH REPUBLIC

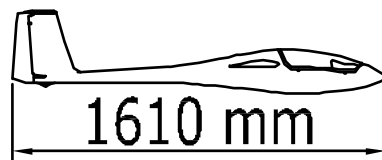
www.topmodelcz.com

e-mail: info@topmodelcz.cz

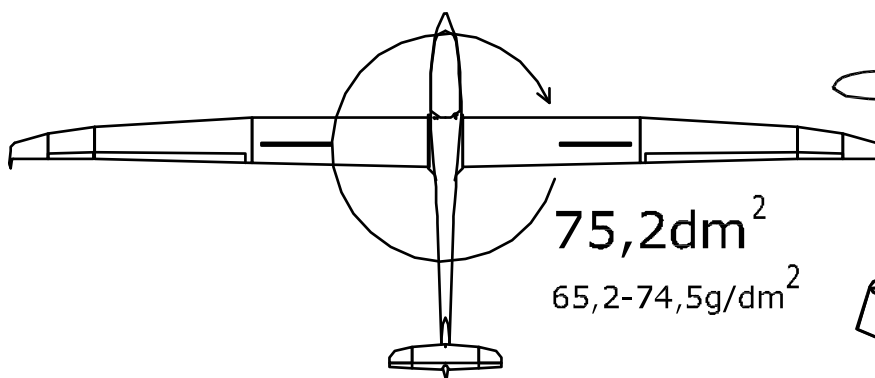
Order N°:2043



4500mm



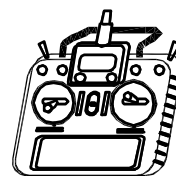
1610 mm



75,2dm<sup>2</sup>

65,2-74,5g/dm<sup>2</sup>

Radio system you'll need :



5-7 channel  
with  
8-10 servos



HQ3/14-2,5/12



4,9 - 5,6 kg

|        | GB                    | Parts list                        |       |        |           |
|--------|-----------------------|-----------------------------------|-------|--------|-----------|
| Part # | Part name             | Material, dimensions              | Loose | In bag | Installed |
|        | building instructions |                                   | 1     | -      | -         |
| 1      | fuselage              | fibreglass                        | 1     | -      | -         |
| 1-2    | servo tray            | plywood 4x130x138mm               | -     | 1      | -         |
| 1-21   | servo tray support    | plywood 4mm                       | -     | 2      | -         |
| 1-22   | rudder link support   | plywood 4mm                       | -     | 1      | -         |
| 1-23   | elevator servo tray   | fibreglass 1x19x45mm              | -     | 1      | -         |
| 2      | wing                  | foam core-abachi Oracover@covered | 2     | -      | -         |
| 2-12   | aileron               | foam core-abachi Oracover@covered | 2     | -      | -         |
| 2-13   | aileron 2             | foam core-abachi Oracover@covered | 2     | -      | -         |
| 2-21   | centering pin         | steel Ø3mm                        | -     | -      | 2         |
| 2-23   | winglet               | fibreglass                        | 2     | -      | -         |
| 2-3    | wing fixing           | nylon                             | -     | 2      | -         |
| 2-4    | airbrake servo mount  | polyuretan 13mm                   | -     | 4      | -         |
| 2-41   | airbrake servo top    | sticker                           | -     | 2      | -         |
| 2-52   | aileron pushrod       | M2 x 35mm                         | -     | 4      | -         |
| 2-6    | clevis                | metal M2, nut M2                  | -     | 8+8    | -         |
| 2-8    | aileron horn          | MPJ 2291                          | -     | 4      | -         |
| 2-81   | nut                   | MPJ 1005                          | -     | 4      | -         |
| 24     | wing joiner           | steel Ø12 x 420mm                 | -     | 1      | -         |
| 3      | horizontal stabilizer | fibreglass                        | 1     | -      | -         |
| 3-4    | stabilizer screw      | M4x20mm                           | -     | 2      | -         |
| 3-5    | elevator pushrod      | M2                                | -     | 1      | -         |
| 3-6F   | ball pin              | MPJ 2408                          | -     | 1      | -         |
| 3-6R   | clevis                | metal M2, nut M2                  | -     | 1+1    | -         |
| 3-7    | clutch                | MPJ 2012BR                        | -     | 1      | -         |
| 3-8    | elevator horn         | MPJ 2291                          | -     | 1      | -         |
| 4      | rudder                | fibreglass                        | -     | -      | 1         |
| 4-5    | rudder pushrod        | steel Ø1,5mm                      | -     | -      | 1         |
| 4-6    | threaded rod tip M2   | MPJ 2762                          | -     | -      | 1         |
| 4-8    | rudder horn           | MPJ 2291                          | -     | -      | 1         |
| 6      | canopy                | PVC                               | 1     | -      | -         |
| 6-3    | canopy frame          | fibreglass                        | 1     | -      | -         |
| 6-4    | canopy fixing         | steel Ø3x20mm, cabin latch        | -     | 1+1    | -         |
| 7      | stickers              |                                   | set   | -      | -         |

### **ATTENTION !!!**

This model construction kit is not a toy and is not suitable for children under the age of 14. Incorrect use of this model could cause material damage or personal injury. You are fully responsible for your actions when you use this model. Fly at a safe distance from occupied zones. Before switching on the radio, be sure that no one else is using the same frequency as you!

### **NB:**

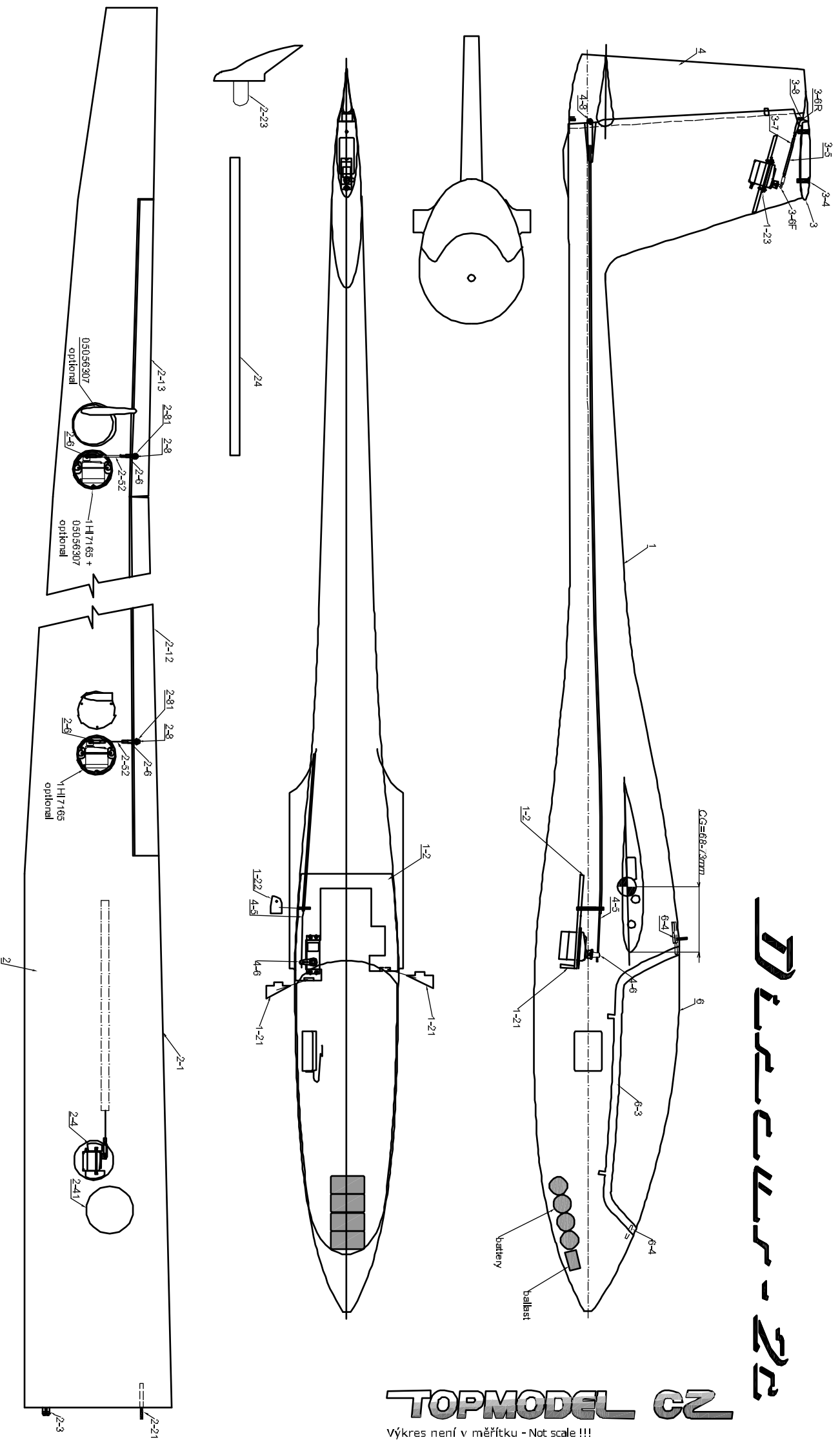
Although the wings are provided with a system which keeps them firmly fixed to the fuselage, you must stick some adhesive tape, half on the fuselage and half on the wing, the whole length of the chord, in order to ensure that in case of a shock or vibration the wing cannot move slightly away from the fuselage.

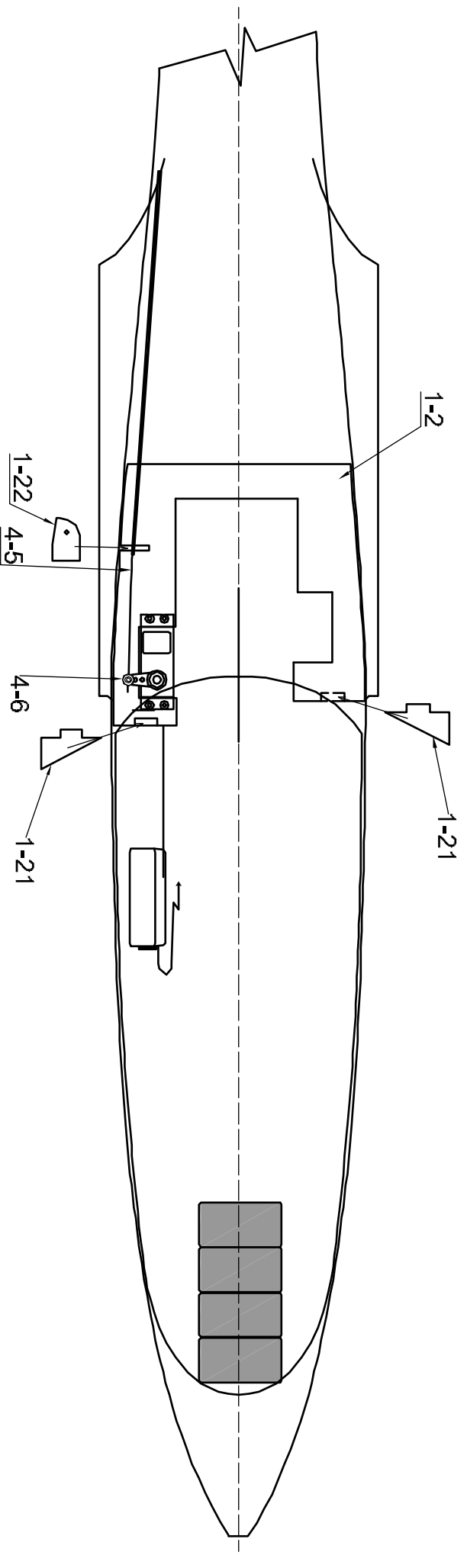
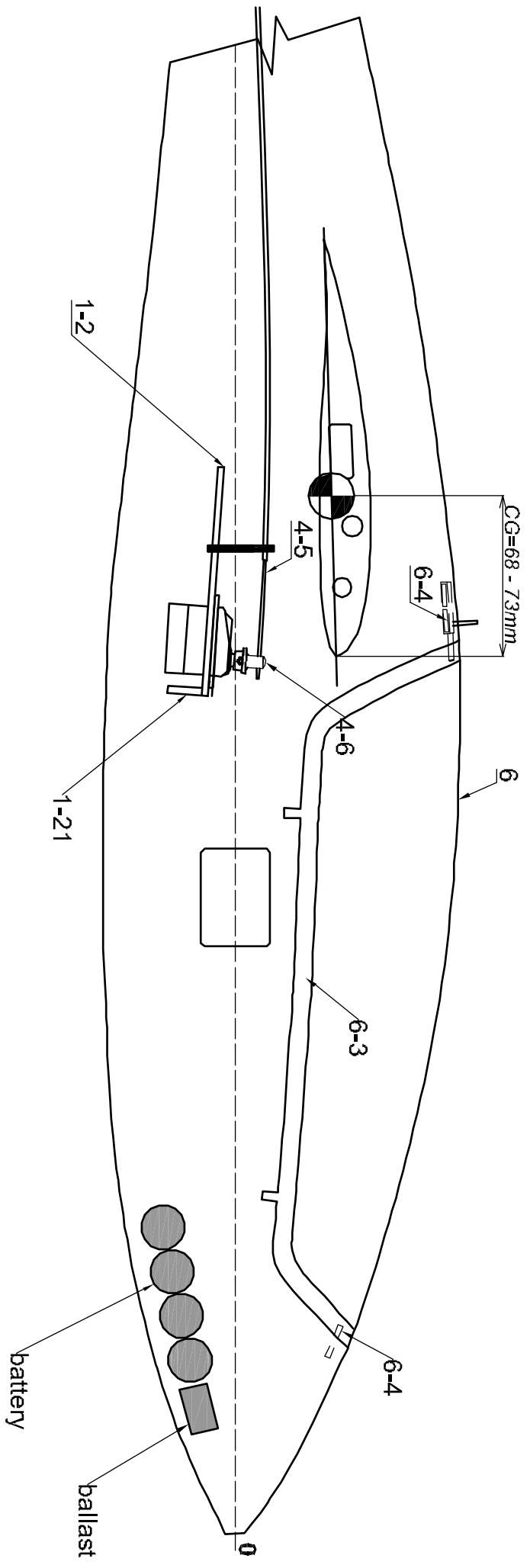
If the wing does move away from the fuselage, however little, you may well lose the electrical contact afforded by the multi-pin plug connecting the servo to the receiver, thus losing the use of both the ailerons and the air-brakes!

# TOPMODEL - 22

**TOPMODEL CZ**

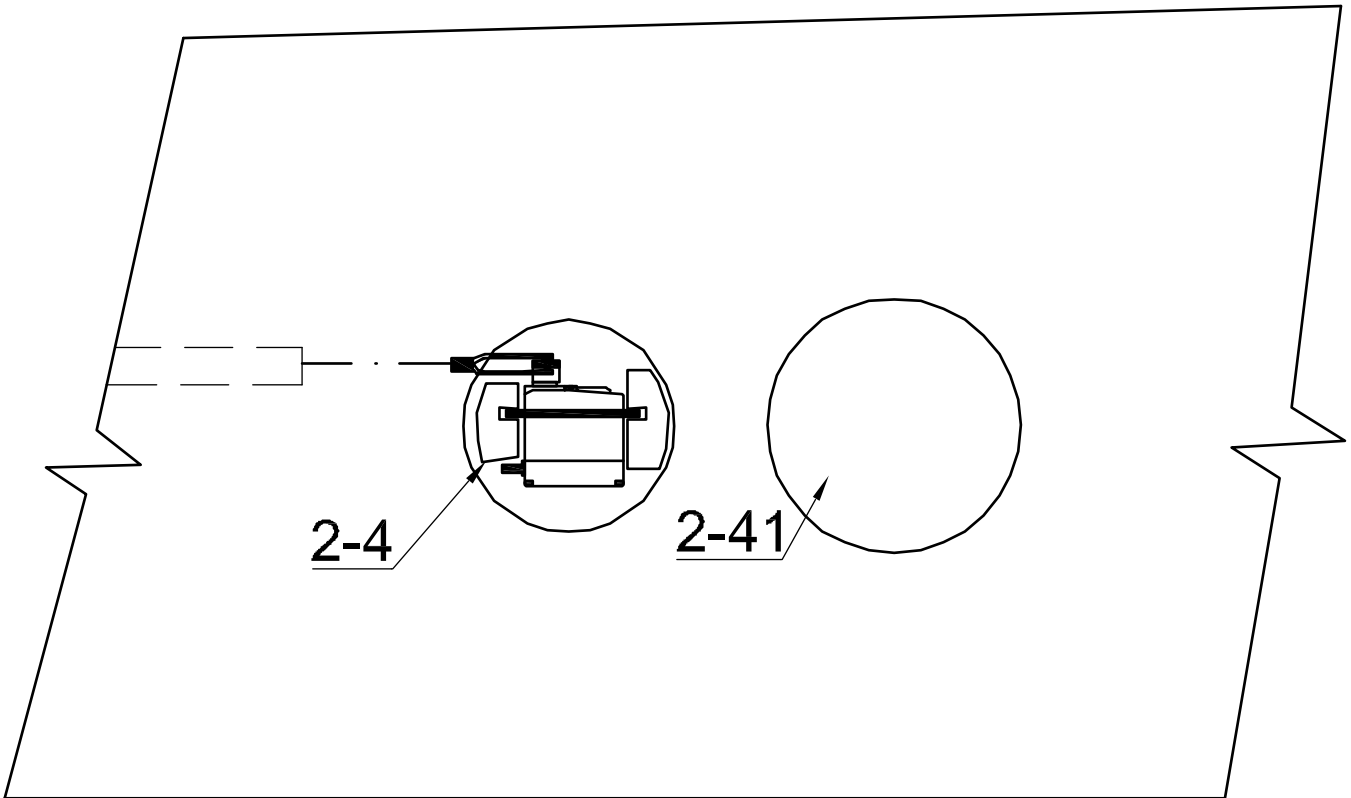
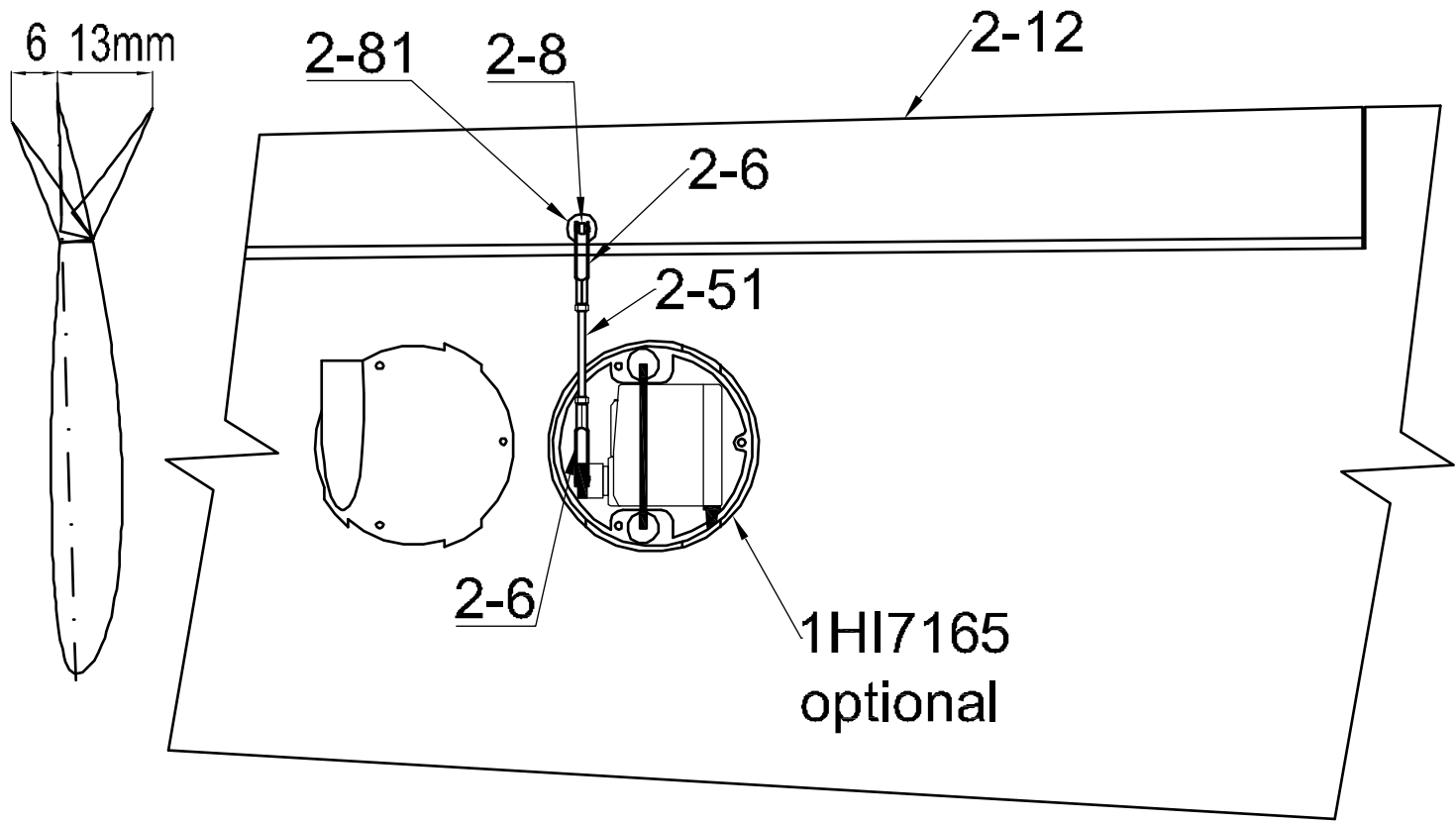
Výkres není v měřtku - Not scale !!!





Wing servo instalation

Instalace serv křídla



Elevator servo instalation  
Instalace serva pro výškovku

